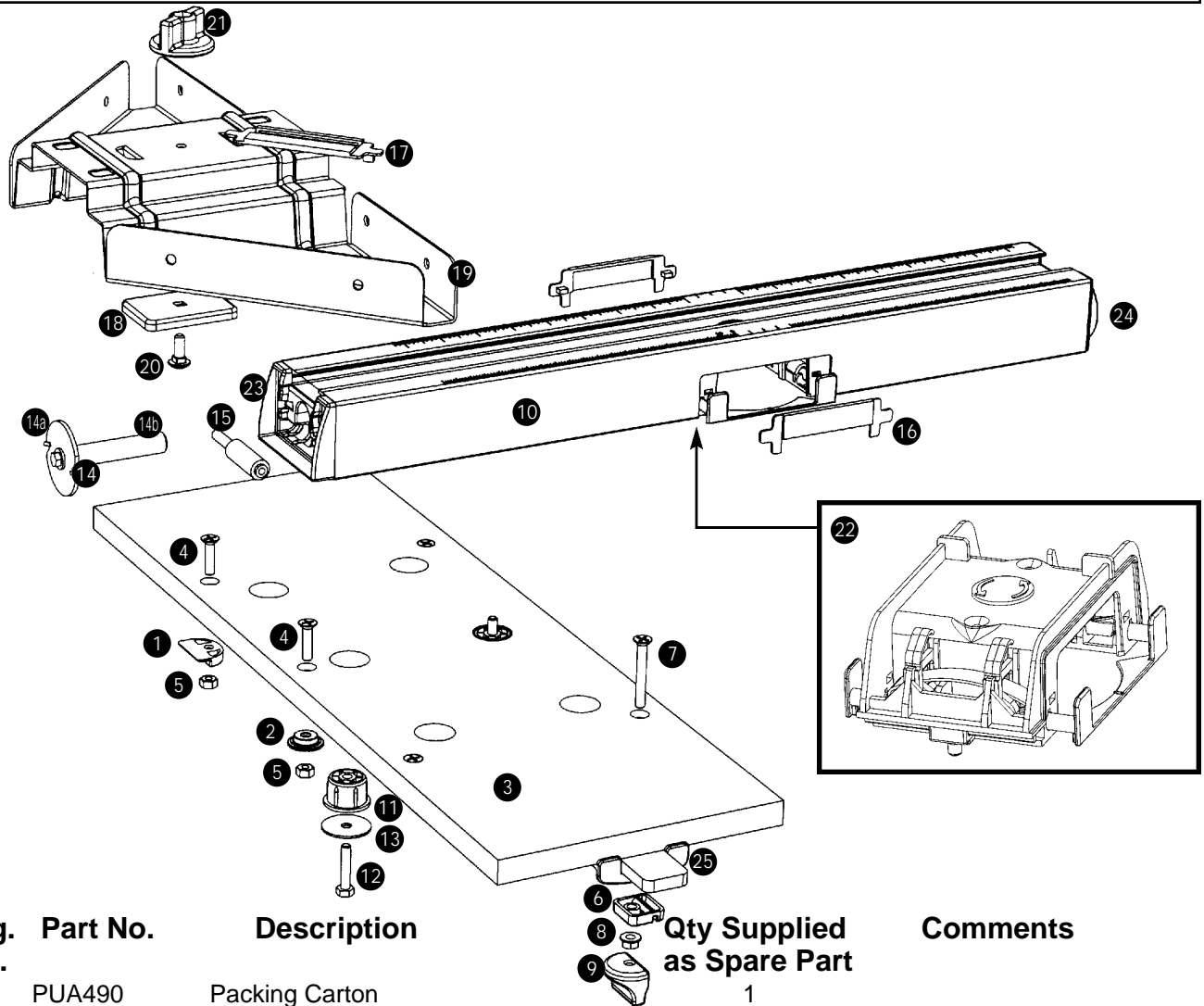


Biscuit Joiner - BJA300

Suits Router Table model RTA300 only



Diag. Ref.	Part No.	Description	Qty Supplied as Spare Part	Comments
-	PUA490	Packing Carton	1	
-	PUA497	Instruction Manual	1	
3	BJA314	Sliding Insert Assembly (fitted with plungers)	1	
3a	BJA317	MDF Slider only	1	
10	BJA305	Main Body	1	
11	BJA321	Boss	1	
14	BJA038	Cutter (complete with 1/2" & 1/4" shank)	1	
14a	BJA053	Cutting Disc only	1	
14b	BJA055	1/2" Shank (12.7mm)	1	
15	BJA058	1/4" Shank (6.35mm)	1	
-	BJA045	4mm Straight Router Bit (1/2" only)	1	
16	BJA029	Notched Window	1	
17	BJA022	Slotted Window	1	
18	BJA016	Sliding Guide Clamp	1	
19	BJA014	Sliding Guide	1	
21	CMA040	Round Knob with M6 Nut	1	
22	BJA306	Guard Assembly	1	
23	BJA311	End Cap / Nut Holder	1	
24	BJA312	End Cap - Vacuum Connection	1	
	BJA313	Nut Holder (inside main body - not shown)	1	
25	BJA323	Return Plunger Assembly	1	
	RTA391	Slider Tree (comprises parts 1,2,6 & 9)	1	
	BJA320	Fastener Bag (comprises parts 4,5,7,8,12,13 & 20)	1	Not sold individually
	BJA050	Biscuits (packet of 50)	1	Also available in 500 (BJA056).

Specifications:

Packed weight: 4.3kg

Pack Size: 660 x 265 x 80mm

Volume: 0.014m³

Paint: Epoxy powder coat (oven cured)

Fence: Silver

Slide Guide : Charcoal Grey