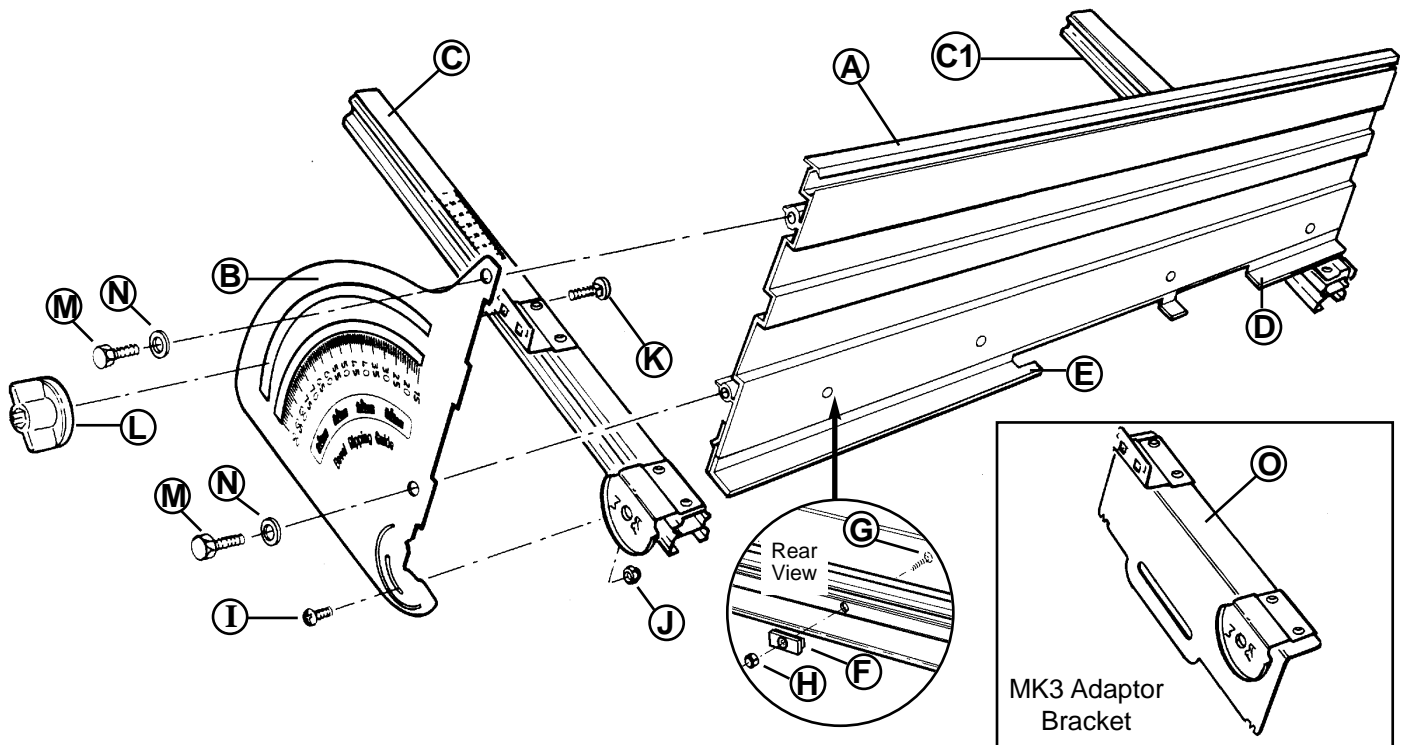


# Bevel Ripping Guide Series 2000 - BRA200

Suits Triton Series 2000 & MK3\* Workcentres. (\*Adaptor kit (BRA270) required)



Diag. Ref.	Part No.	Description	Qty Supplied as Spare Part	Comments
-	PUA307	Packing Carton	1	
-	PUA309	Instructions	1	
-	PUA343	Packing List	1	
A	BRA204	Work Panel (Aluminium model)	1	
B	BRA208	Front Quadrant	1	
-	BRA209	Rear Quadrant	1	
C	BRA255	Front Track Arm	1	
C1	BRA256	Rear Track Arm	1	
D	BRA221	Edge Support - rear	1	
E	BRA223	Edge Support - front	1	
-	BRA219	Fastener Bag	1	
F	WCA216	Clamp	1	
-	BRA224	Series 2000 Bridge	1	Red plastic
L	CMA040	Round Knob & 6mm nut	1	
-	BRA270	<b>MK3 Adaptor Kit</b>	1	
-	PUA325	MK3 Adaptor Kit Instructions	1	
O	BRA260	MK3 Front Adaptor Bracket	1	
-	BRA261	MK3 Rear Adaptor Bracket	1	
-	BRA262&263	MK3 Scale Labels - front & rear	1	Self adhesive
-	BRA264	MK3 Bridge	1	Red plastic
-	BRA265	Fastener Bag (MK3 Adaptor Kit)	1	
<b>FASTENERS NOT SUPPLIED SEPARATELY</b>				
G	CSA198	M4x10mm Countersunk Screw	4	
H	CSA197	M4 Hex Nut	4	
I	CSA209	M4x10mm Philips- Head Screw	2	
J	CSA156	M4 Nyloc Nut	2	
K	CSA172	M6x15mm Coach Bolt	2	
M	CSA147	M8x20mm Hex Bolt	4	
N	CSA028	8mm Washer	4	

## Specifications:

**Packed weight:** 6.05kg

**Pack size:** 885 x 275 x 67mm **Volume:** 0.0016m<sup>3</sup>

**Paint:** Epoxy powder coat (oven cured) **Colour:** Silver & Telecom Gold