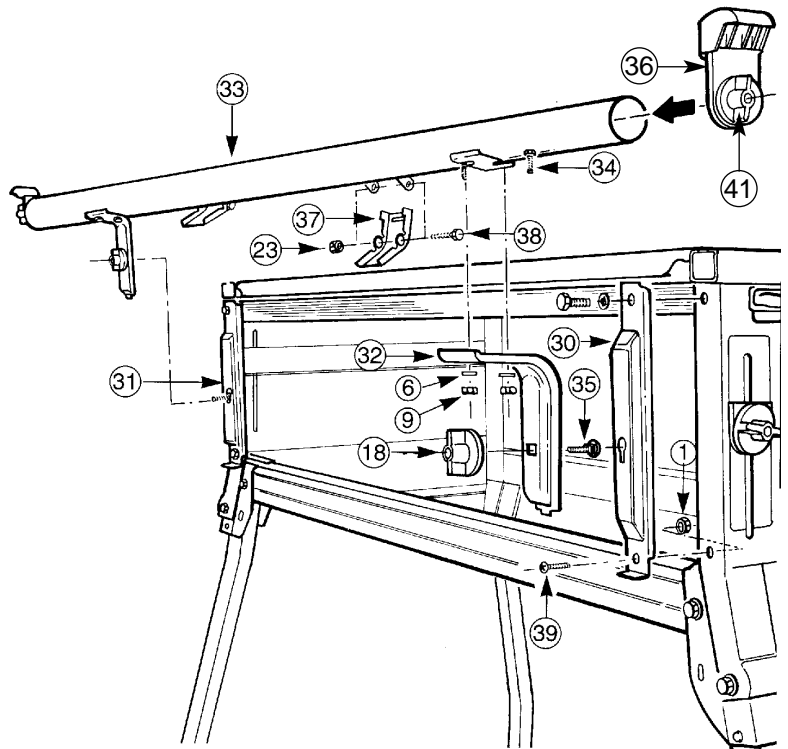
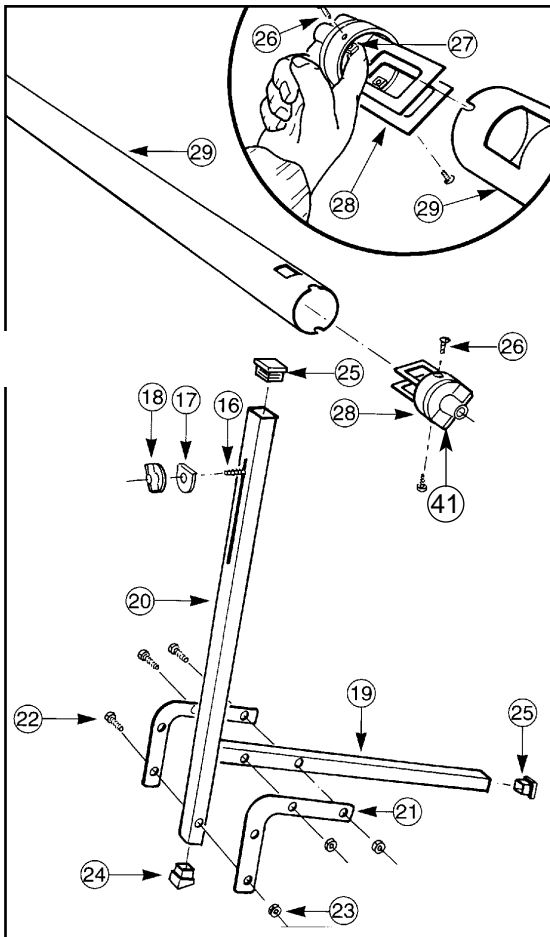
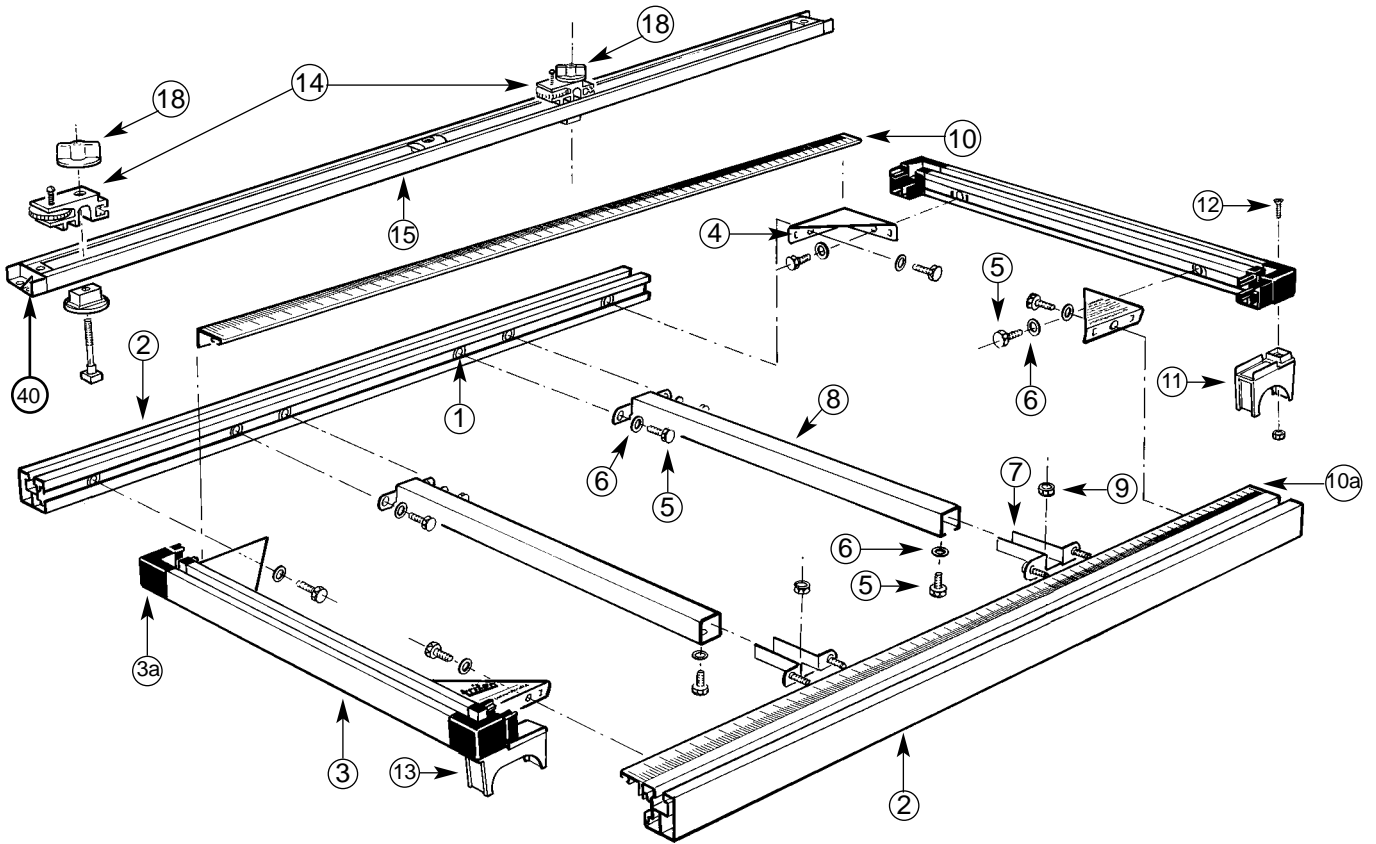


Sliding Extension Table - ETA200

Suits all MK3 and Series 2000 Workcentres.



Sliding Extension Table - ETA200

Suits all MK3 and Series 2000 Workcentres.

Diag. Ref.	Part No.	Description	Qty Supplied as Spare Part	Comments
-	PUA311	Packing Carton	1	
-	PUA314	Packing List	1	
-	PUA313	Assembly Instructions	1	
2	ETA207	Long Extrusion	1	
3	ETA206	Short Extrusion	1	
3a	ETA208	Corner Block	1	
4	ETA263	Plain Corner Bracket	1	
7	ETA218	Brace Bracket	1	
8	ETA224	Brace	1	
10	ETA223	Scale (rear)	1	
10a	ETA221	Scale (front)	1	
11	ETA209	Inner Bearing (smaller)	1	
13	ETA210	Outer Bearing (larger)	1	
14	ETA271	Fence Clamp Assembly	1	
15	ETA270	Fence Assembly	1	Excludes fence clamp assembly
17	ETA239	Height Stop (keeper)	1	
18	CMA040	Round Knob with M6 Hex Nut	1	
19	ETA262	Foot	1	
20	ETA260	Leg	1	
21	ETA238	Leg Plate	1	
24	RSA057	Angled Tube Closer	1	
25	CPA013	Flat Tube Closer	1	
28	ETA272	Leg Clamp Assembly	1	
29	ETA258	Outer Track	1	50.8mm (O.D.)
30	ETA226	End Panel Bracket - Front	1	
31	ETA227	End Panel Bracket - Rear	1	
32	ETA229	Support Bracket	1	
33	ETA256	Inner Track	1	50.8mm (O.D.)
36	ETA273	Skid Assembly	1	
37	ETA232	Locking Latch	1	
40	ETA211	Fence End Cap	1	
41	CMA044	Large Round Knob with 8mm nut	1	
	ETA265	Fastener Bag 1 (Table components)	1	
	ETA267	Fastener Bag 2 (Outer Track components)	1	
	ETA266	Fastener Bag 3 (Inner Track components)	1	
	ETA264	Corner Bracket - printed (Left)	1	
	ETA268	Corner Bracket - printed (Right)	1	

FASTENERS NOT SUPPLIED SEPARATELY

1	Flange Nut M6	16
5	Hex Bolt M6 x 10 (high tensile)	20
6	Washer	24
9	Hex Nut M6	12
12	Countersunk Screw M6x16	4
16 & 35	Coach Bolt M6 x 20	4
22	Hex Bolt M6 x 40	6
23	Nyloc Nut M6	8
26	Philips-Head Screw M4 x 10	4
27	Square Nut M4	4
34	Coach Bolt M6 x 12	4
38	Hex Bolt M6 x 45	2
39	Philips-Head Screw M6 x 10	2

Specifications:

Packed weight: 20kgs

Pack Size (mm): 1810 x 190 x 185

Volume (M): .0293

Table brace: 25mm tube. Telecom Gold (colour)

Stand: 30mm square galvanised tube

Track: 50.8mm galvanised tube