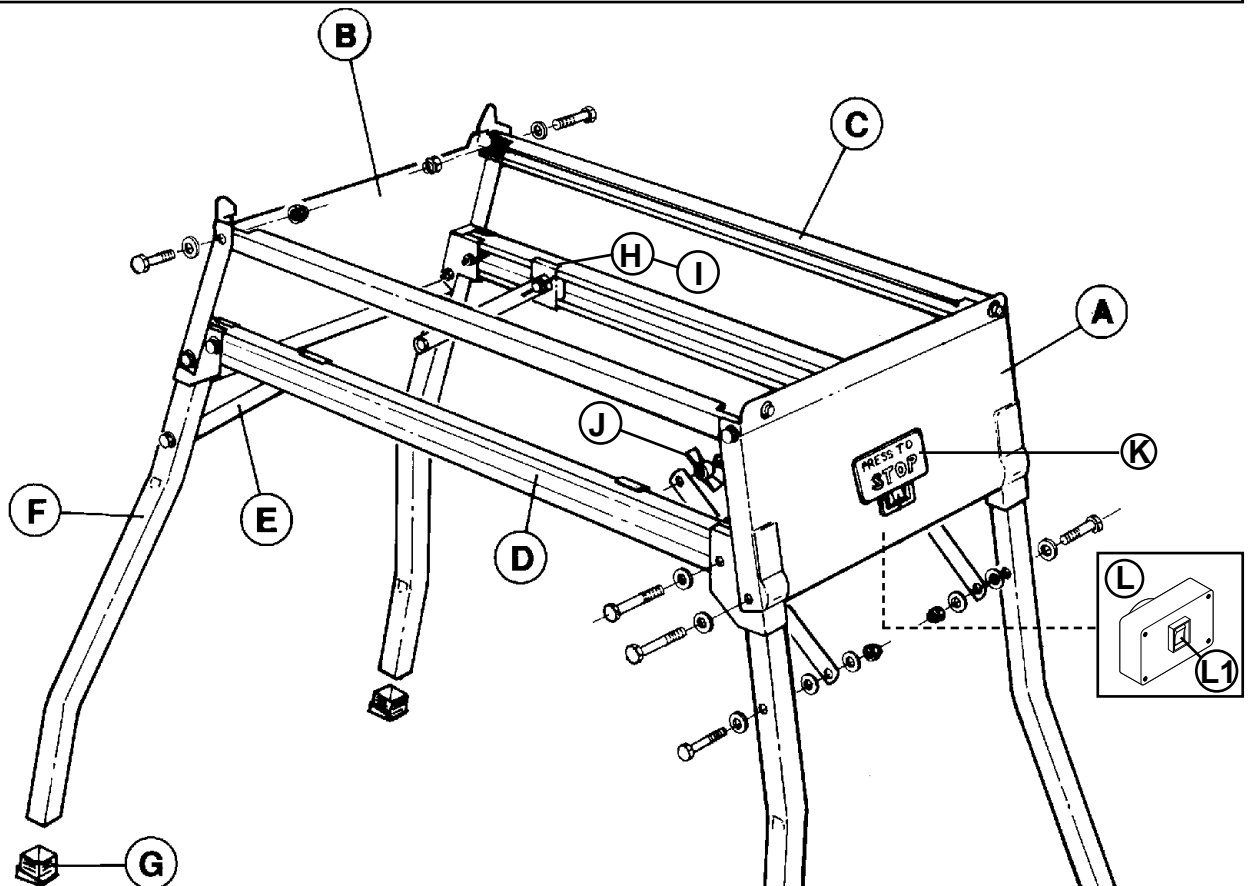


Router / Jigsaw Stand Series 2000 - RSA200

Suits all Triton Router/Jigsaw Tables with red slide catches on rear edge. (Post 1987)



Diag. Ref.	Part No.	Description	Qty Supplied as Spare Part	Comments
-	PUA172	Packing Carton	1	
-	PUA255	Packing List	1	
-	PUA174	Assembly Instructions	1	
A	RSA045	Front Panel(riveted)	1	
B	RSA042	Rear Panel	1	
C	RSA053	Bearing Channel	1	
D	RSA052	Base Channel	1	
E	RSA051	Leg Stay	1	
F	RSA049	Leg	1	
G	CMA042	Tube Stopper (angled)	4	
H	CMA027	Inner Clamp	1	
I	CMA028	Outer Clamp	1	
J	CMA031	Wingnut Large (8mm)	1	
K	WCA058	Stop Plate	1	
L	WCA180	Switchbox (Complete)	1	
L1	WCA056	Switch 250v 16Amp	1	
	RSA056	Fastener Bag (complete)	1	

FASTENERS NOT SUPPLIED SEPARATELY

-	-	8mm x 50mm Bolt	8	} Available in Fastener Bag
-	-	8mm x 15mm Bolt	4	
-	-	8mm Washers	20	
-	-	8mm Nyloc Nuts	12	
-	-	6mm x 45mm Bolts	4	
-	-	6mm Washers	12	
-	-	6mm Nyloc Nuts	4	

Specifications:

Packed weight: 13.45kg

Pack Size: 750 x 455 x 112mm **Volume:** 0.038m³

Paint: Epoxy powder coat (oven cured) **Colour:** Telecom Gold / Charcoal Grey

Legs: 30mm x Square Tube x 1.6mm **Bearing Channels:** Aluminium