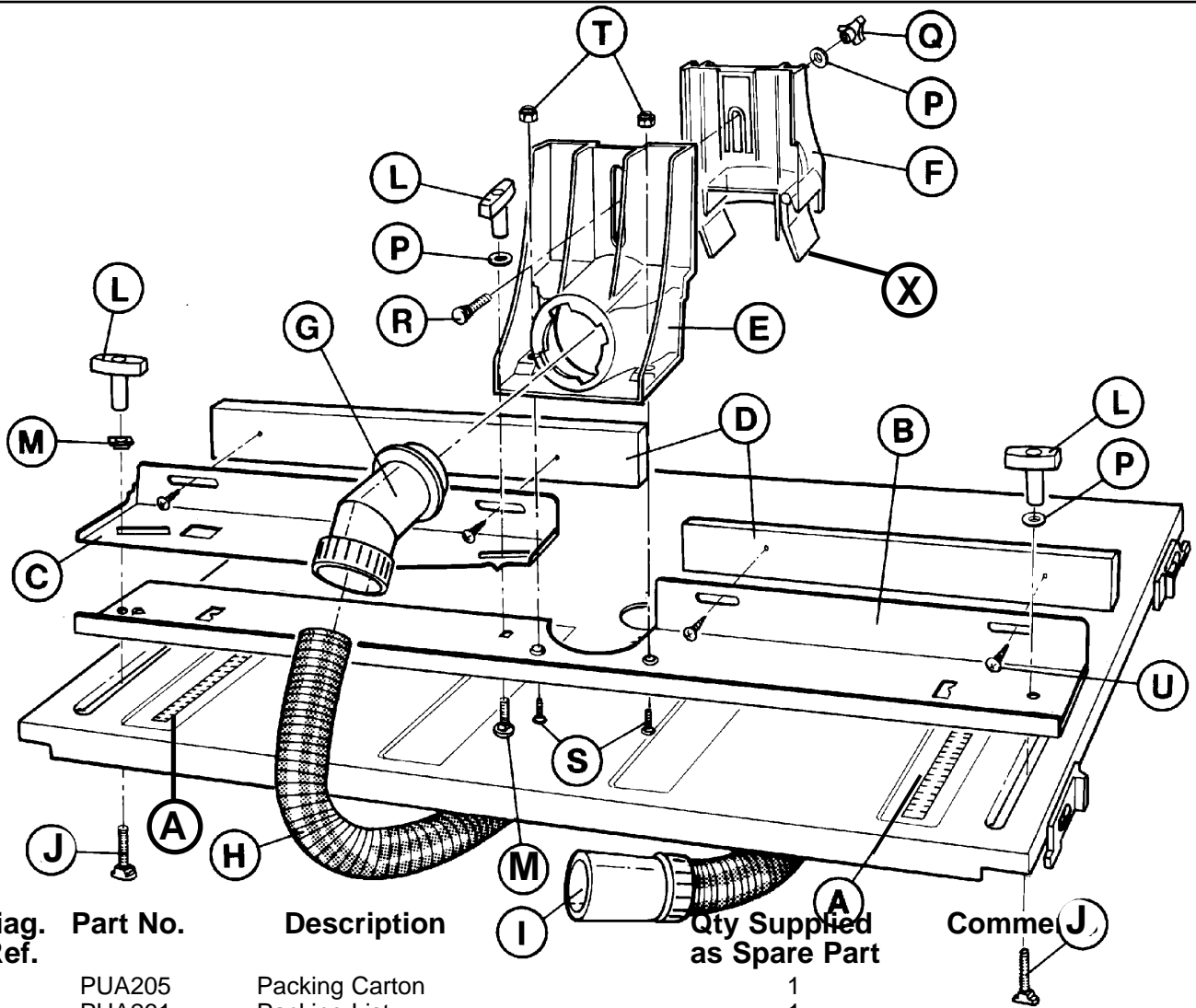


Router Table Upgrade Fence - RTA210

Suits pre-Series 2000 Router / Jigsaw Tables (Built July '87 - July '94)



Diag. Ref.	Part No.	Description	Qty Supplied as Spare Part	Comme J
-	PUA205	Packing Carton	1	
-	PUA261	Packing List	1	
-	PUA207	Instruction Sheet	1	
A	RTA058	Calibrated Scale Labels	2	Self adhesive
B	RTA060	Main Fence	1	
C	RTA052	Front Fence	1	
D	RTA049	MDF Sub-fence (300 x 50 x 16mm)	2	
E	RTA212	Guard Housing	1	
F	RTA211	Safety Guard	1	Includes anti-kickback fingers
G	CMA033	Hose Adaptor	1	
H	CMA034	Vacuum Hose	1	1.5 metre length
I	CMA032	Hose Nozzle	1	
J&L	WCA125	T-handle & Clamping Bolt Set	2	
K	RTA055	Bridge Washer	1	
M	RTA024	Fence flat head coach bolt	1	
P	-	7mm x 19mm Washer	3	Available in Fastener Bag
Q	CPA096	Tri-knob (6mm)	1	
R	-	6mm x 25mm coach bolt	1	Available in Fastener Bag
S & T	-	4x10mm Countersunk Screw & 4mm Flange Nut	2	
U	-	16mm self tapping screws	4	
X	RTA213	Anti-kickback fingers	2	
-	RTA215	Fastener Bag	1	

Specifications:

Packed weight: 2.635kg

Paint: Epoxy powder coat (oven cured)

Pack Size: 750 x 190 x 60mm

Fence: Charcoal Grey

Volume: 0.0085m³

Guard: Clear polycarbonate