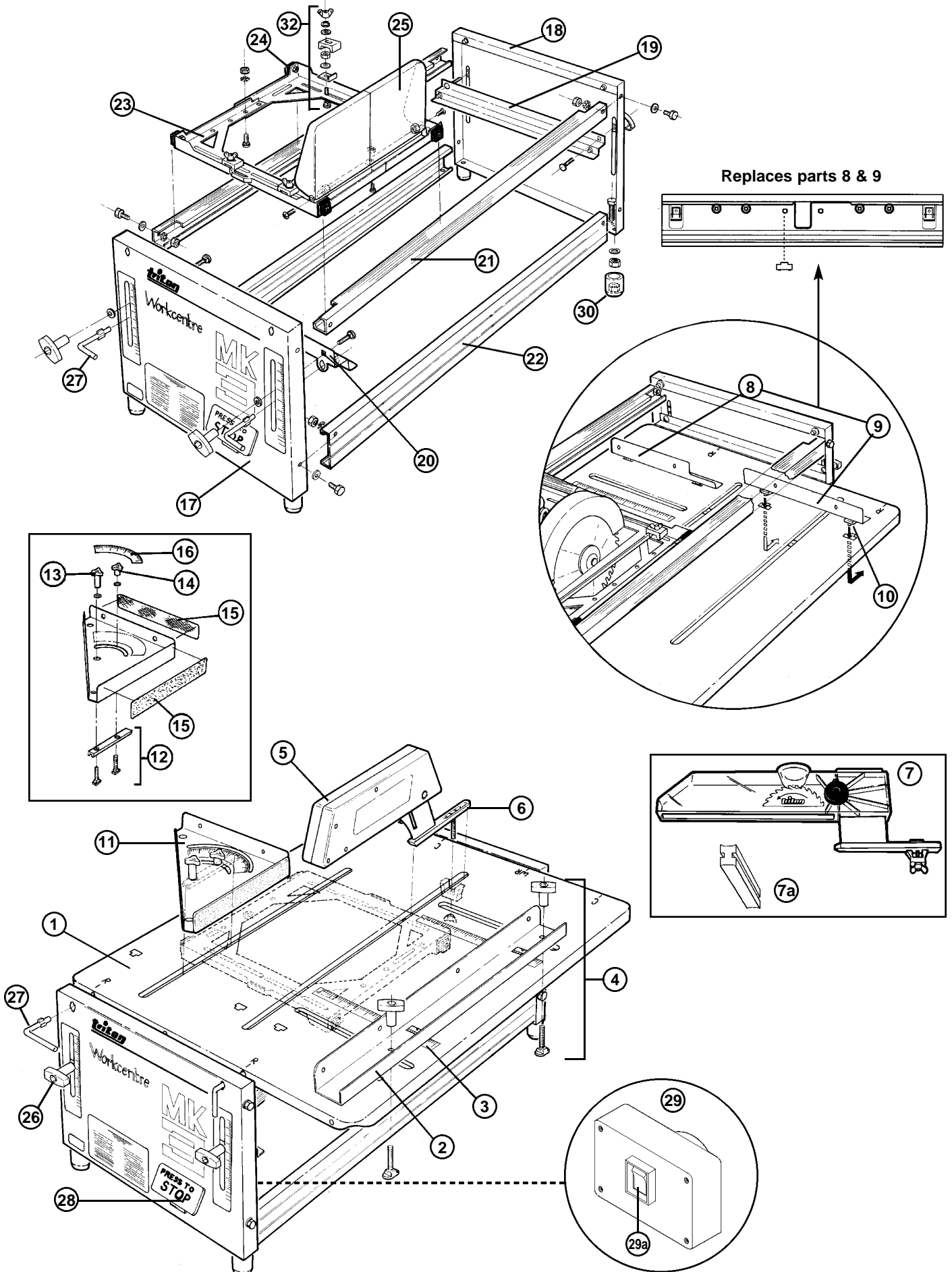


MK3 New Series Workcentre - WCA001

Most parts will fit or adapt to suit early MK3 (1981 - late '84)



MK3 New Series Workcentre - WCA001

Most parts will fit or adapt to suit early MK3 (1981 - late '84)

| Diag. Ref. | Part No. | Description | Qty Supplied as Spare Part | Comments |
|------------|----------|-------------------------------------|----------------------------|------------------------------------|
| - | PUA119 | Packing Carton | 1 | |
| - | PUA006 | Instruction Manual | 1 | |
| 1 | WCA002 | Table Top | 1 | Suits MK3 & MK3/MK2 New Series |
| 2 | WCA028 | Rip Fence (complete) | 1 | Includes (WCA125) |
| 3 | WCA016 | Table Scales | 1 | Self Adhesive |
| 4 | WCA125 | Rip Fence Clamp Set | 2 | T-handles & clamp bolts |
| 5+6 | WCA042 | Overhead Guard (complete) | 1 | Incl. riving knife |
| 5 | WCA043 | Overhead Guard with bolt & tri-knob | 1 | |
| 6 | WCA045 | Riving Knife | 1 | Incl. T-bolt, U-clamp & wingnut |
| 7 | DCA001 | Upgrade Guard for Dust Collection | 1 | Replaces WCA042/S |
| 7a | DCA043 | Saw Slot Infill Plug - MK3 | 1 | |
| - | WCA338 | Crosscut Fence | 2 | 1 Replaces parts WCA034 & 038 |
| 8 | - | Workstop Notched | 1 | Replace with part WCA338 |
| 9 | - | Workstop Plain | 1 | Replace with part WCA338 |
| 10 | WCA339 | Workstop Nylon Feet | 4 | Includes bolts & nuts |
| 11 | WCA149 | Protractor (complete) | 1 | |
| 12 | WCA024 | Protractor Slider Strip Repair Kit | 1 | Incl. bolts |
| 13 | CPA005 | Tri-knob Long | 1 | |
| 14 | CPA004 | Tri-knob Short | 1 | |
| 15 | WCA150 | Protractor Sandpaper Facings | 2 | |
| 16 | WCA140 | Protractor Scale Label (45-0-45°) | 1 | Self adhesive |
| - | ** | Protractor Scale Label (0-45°) | 1 | (Early type) |
| 17 | WCA049 | Front Panel | 1 | Without fittings |
| 18 | WCA171 | Rear Panel | 1 | Without fittings |
| 19 | WCA168 | Table Support Rail (rear) | 1 | (Riveted) |
| 20 | WCA066 | Table Support Rail (front) | 1 | |
| 21 | WCA448 | Bearing Channel replacement kit | 2 | Incl. nuts, bolts & instructions |
| 22 | WCA096 | Base Channel | 1 | |
| 23 | WCA073 | Saw Slide Chassis | 1 | Includes bearings |
| - | WCA102 | Saw Chassis Upgrade Kit | 1 | To suit MK3 Workcentres |
| 24 | WCA101 | Nylon Bearings | 4 | Includes bolts & nuts |
| 25 | WCA160 | Saw Side Guard (2 piece) | 1 | Incl. brackets, bolts & nut |
| 26 | WCA093 | End Panel Fastener Bag | 4 | Incl. bolts & nylon scale pointers |
| 27 | WCA103 | Locking Pins | 2 | |
| 28 | WCA058 | Stop Plate (plastic) | 1 | |
| 29 | WCA180 | Switchbox | 1 | Complete |
| 29a | WCA056 | Switch only 250v 16amp | 1 | |
| 30 | WCA104 | Rubber Feet | 4 | Incl. bolts, nuts & washers |
| 31K | CMA020 | Tube Spanner | 1 | |
| 31 | WCA151 | Fastener Bag Number 1 | 1 | |
| 32 | WCA152 | Fastener Bag Number 2 - Saw Clamps | 1 | |
| 33 | WCA153 | Fastener Bag Number 3 | 1 | |
| - | WCA304 | Main Fastener Bag | 1 | Contains Fastener Bags 1, 2 & 3 |
| 33F | AGA001 | Trigger Strap (Hook & loop) | 1 | |

** Available only from Triton - Victoria

Specifications:

Packed weight: 26.60kg

Paint: Epoxy powder coat (oven cured)

Bearing Channels & Rip Fence: Aluminium

Pack Size: 950 x 690 x 90mm **Volume:** 0.059m³

Main Body: Telecom Gold / Charcoal Grey

Bearings: Nylon 66 **Sheet Metal Parts:** 1.60mm Mild Steel

MK3 New Series Workcentre - WCA001

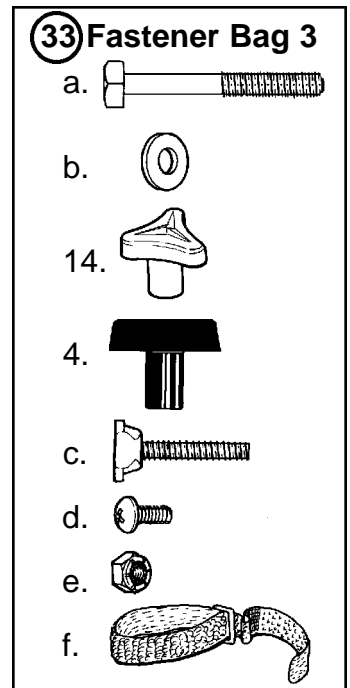
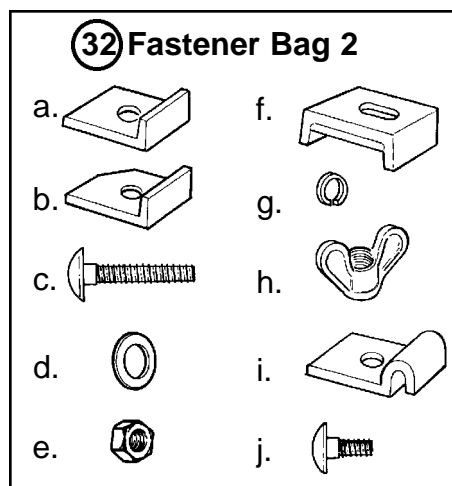
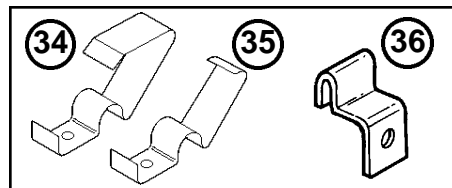
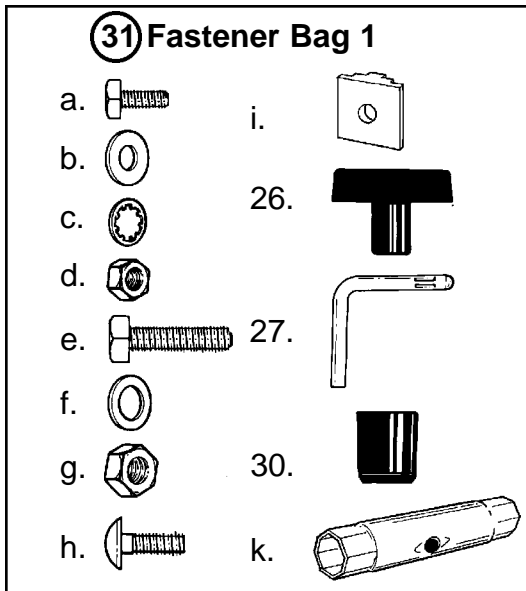
Most parts will fit or adapt to suit early MK3 (1981 - late '84)

| | | | | |
|----|----------|------------------------------|---|---|
| 34 | ** | Table Spring Latch (pair) | 1 | Suit tables with 12 x 12mm tube along saw slot. |
| 35 | ** | Table Spring Latch (pair) | 1 | Suit tables with 12 x 9mm tube along saw slot. |
| 36 | WCA014** | Table / Chassis Locking lugs | 2 | Supplied with WCA102 |

COMPONENTS NOT SUPPLIED SEPARATELY

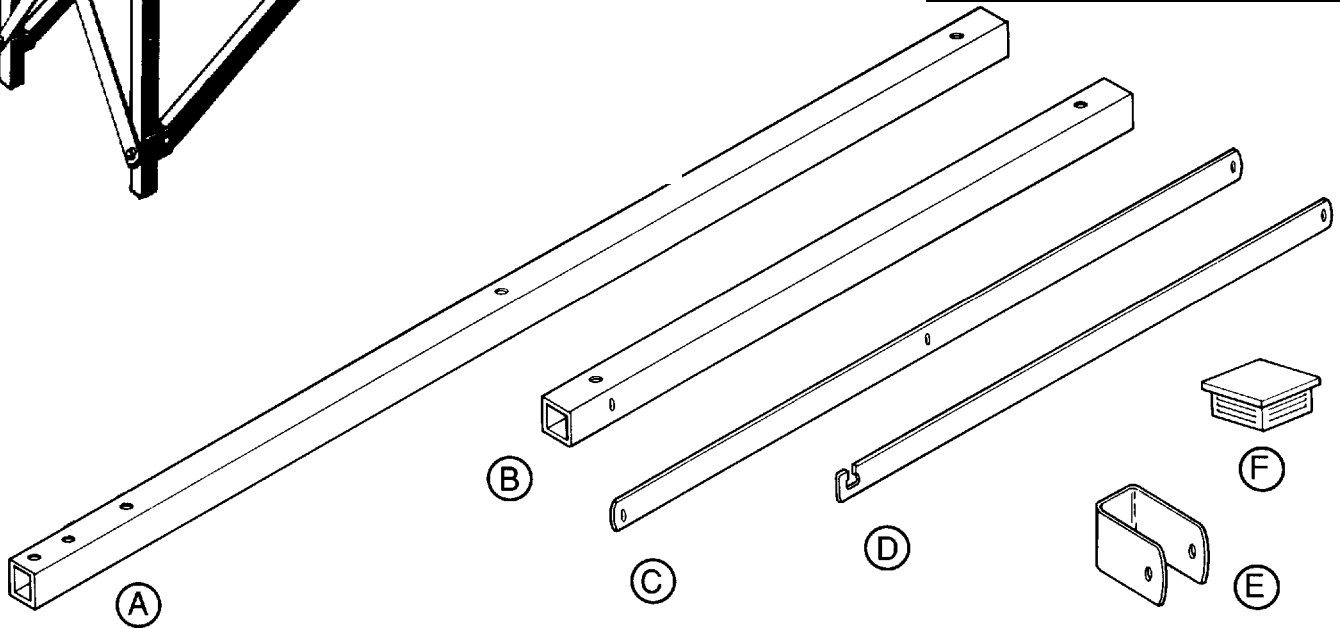
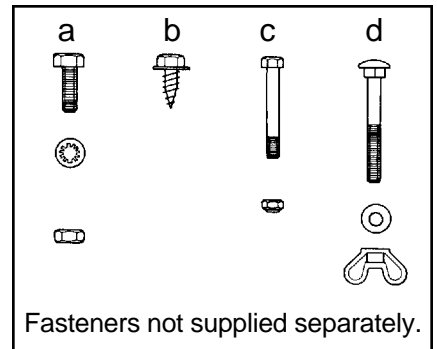
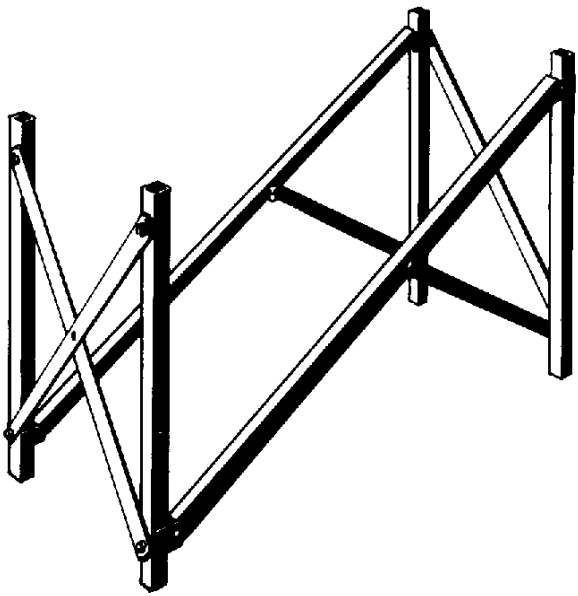
| | | | | | |
|-----|---|------------------------------------|---|-----------------------|---------------------------------|
| 31a | - | 1/4" x 1/2" Hex Bolt | 8 | } Available in WCA151 | |
| 31b | - | 1/4" x 5/8" Flat Washer | 8 | | |
| 31c | - | 1/4" Star Washer | 8 | | |
| 31d | - | 1/4" Hex Nut | 8 | | |
| 31e | - | 5/16" x 1 1/4" Hex Bolt | 4 | | |
| 31f | - | 5/16" x 5/8" Flat Washer | 4 | | |
| 31g | - | 5/16" Hex Nut | 4 | | |
| 31h | - | 1/4" x 3/4" Coach Bolt | 4 | | |
| 31i | - | Nylon Scale Pointer | 4 | | } Available in WCA151 or WCA093 |
| 32a | - | Saw Locator | 3 | | |
| 32b | - | Bevelled Saw Locator | 1 | } Available in WCA152 | |
| 32c | - | 1/4" x 1 1/4" Coach Bolt | 1 | | |
| 32d | - | 1/4" x 5/8" Flat Washer | 8 | | |
| 32e | - | 1/4" Hex Nut | 4 | | |
| 32f | - | Saw Clamp | 4 | | |
| 32g | - | 1/4" Spring Washer | 4 | | |
| 32h | - | 1/4" Wing Nut | 4 | | |
| 32i | - | Special Saw Clamp | 1 | | |
| 32j | - | 1/4" x 1/2" Coach Bolt | 1 | | |
| 33a | - | 1/4" x 2" Hex Bolt | 1 | | Available in WCA153 |
| 33b | - | 1/4" x 5/8" Flat Washer | 1 | Available in WCA151 | |
| 33c | - | 1/4" x 1 7/16" Fence Clamping Bolt | 2 | Available in WCA125 | |
| 33d | - | 3/16" x 3/8" Screw | 3 | Available in WCA153 | |
| 33e | - | 3/16" Nyloc Nut | 3 | Available in WCA153 | |

** Available only from Triton - Victoria



Folding Stand - STA001

Suits MK3 Workcentres. Will adapt to suit MK1 & MK2 models.



| Diag. Ref. | Part No. | Description | Qty Supplied as Spare Part | Comments |
|------------|----------|--|----------------------------|----------------------------------|
| - | PUA127 | Packing Carton | 1 | |
| - | PUA256 | Packing List | 1 | |
| - | PUA111 | Assembly Instructions | 1 | |
| A | CMA006 | Diagonal Tube | 1 | |
| B | STA021 | Leg | 1 | |
| C | STA015 | Crossbrace Strap | 1 | |
| D | CMA001 | Hooked Strap | 1 | |
| - | STA020 | Fastener Bag | 1 | Contains a, b, c, d, E & F. |
| E | CMA004 | Saddle | 1 | Packed in Fastener Bag |
| F | CPA013 | Tube Closer | 1 | Packed in Fastener Bag |
| a | - | 1/4" x 1/2" hex bolt, 1/4" hex nut & star washer | 2 | } Only available in Fastener Bag |
| b | - | #14 x 9/16" hex head self-tapping screws | 8 | |
| c | - | 3/16 x 1 5/8 hex bolts, Nyloc nuts to suit | 6 | |
| d | - | 1/4" x 2" coach bolts. Wingnuts & flat washers | 2 | |

Specifications:

Packed weight: 8.80kg

Packed size: 1005 x 100 x 65mm

Volume: 0.007m³

Paint: Epoxy powder coat (oven cured) **Colour:** Charcoal grey

Tube size: 30mm Square x 1.6mm mild steel **Strap:** 1" x 1/8" mild steel