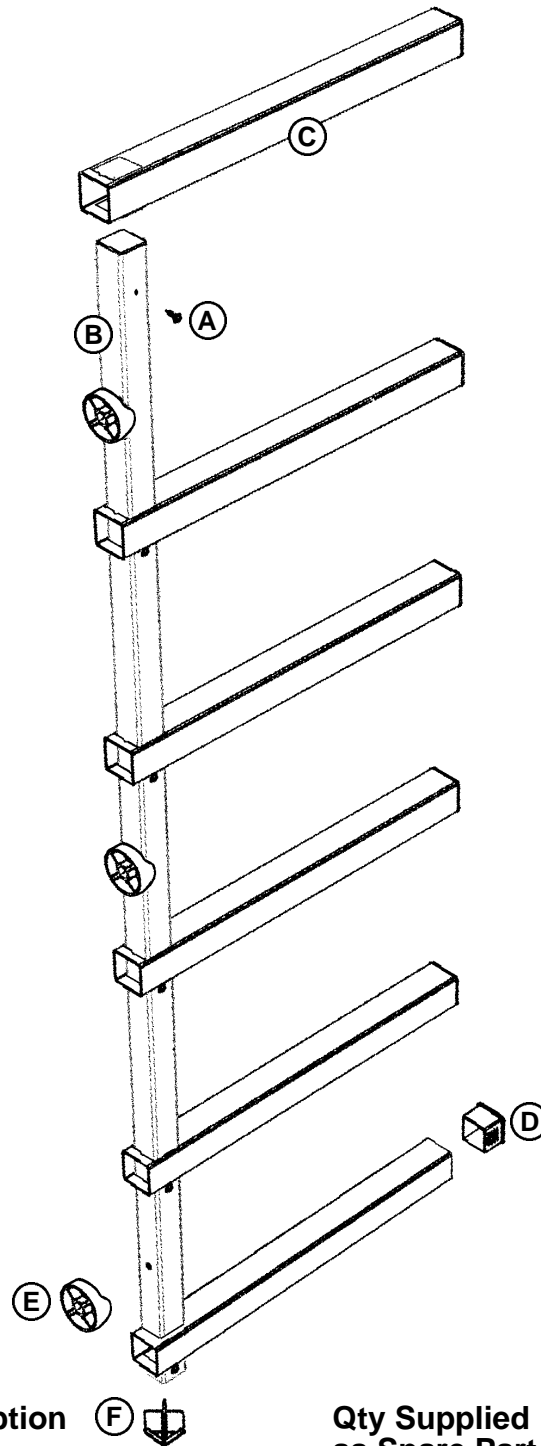



# WoodRack - WRA001

For internal and external mounting applications.



Diag. Ref.	Part No.	Description	(F) 	Qty Supplied as Spare Part	Comments
-	PUA507	Carton		1	
A	WRA310	6g x 1/4" Pan head Screws		Bag (12)	
B	WRA309	Upright		1	
C	WRA303	Rack		1	
D	CPA013	End Cap (30mm)		1	
E	WRA308	Spacer		1	
F	WRA301	End Cap (25mm)		1	

## Specifications:

**Packed weight:** 7.9kg

**Pack Size:** 1125 x 125 x 32mm **Volume:** 0.0045m<sup>3</sup>

**Paint:** Epoxy powder coat (oven cured) **Colour:** Charcoal & Telecom Gold

**Tube size (uprights):** 25mm Square x 1.6mm mild steel **Tube size (racks):** 30mm Square x 1.6mm mild steel